

HABITAT SCREENING

COEN
COMPOSITE WOOD

Defining outdoor living

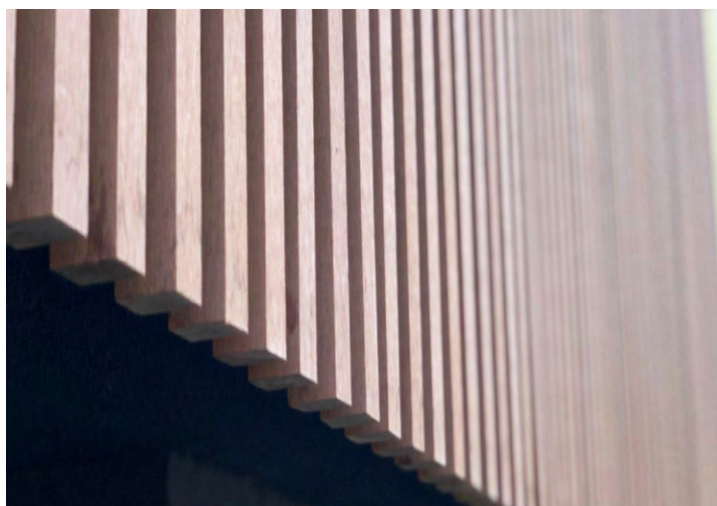
An architectural product with endless design options that's easy to install and ideal for hard to reach places.

- Durable with through coloured construction
- Range of colours and sizes
- No maintenance required
- Sanded finish
- Flexible installation options



"I love it – The product is very easy to work with and to install, and the end result is better than what I expected."

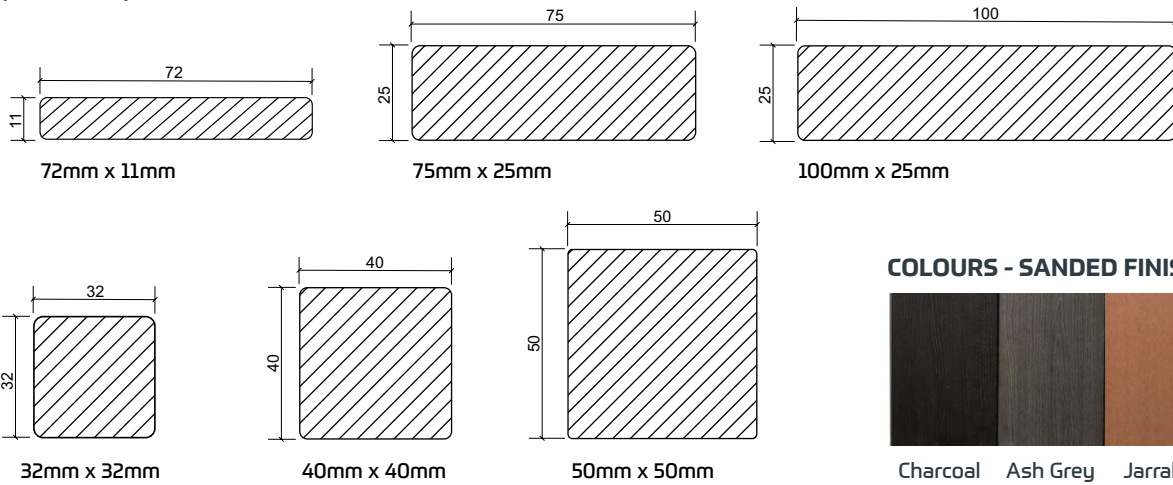
Michael Cook



HABITAT SCREENING

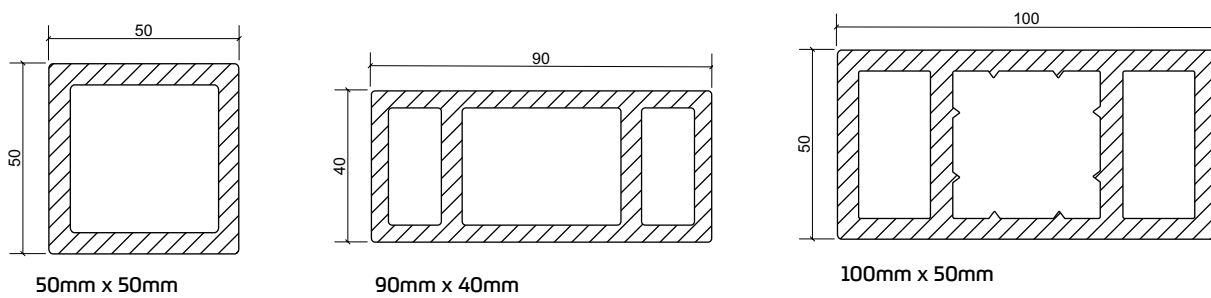
SOLID PROFILES

(Shown at 1:2)



HOLLOW PROFILES

(Shown at 1:2)



TECHNICAL SPECIFICATIONS

	Solid Screening (mm)	Hollow Screening (mm)
Boards / Pack	Various	Various
Number of fasteners per screen width*	1 to 2	1
Maximum Baton centers - Horizontal	600 to 800	600 to 800
Maximum Baton centers - Vertical	600mm to 1.2m	600mm to 1.2m
Maximum Baton to First Fixing Point - Vertical	400 to 600	400 to 600
Minimum clearance from wall (mm)**	5	5
Minimum screening spacing	5	5
Minimum ground clearance	10	10
Minimum clearance at screen end from fixed structure	5	5
Butt gap minimum	4	4

Product can be fixed directly onto a wall with minimal exposure to weathering, using a Sicaflex or other product applied, then screwed to wall.

COEN
COMPOSITE WOOD

BETTER FOR YOU. BETTER FOR THE ENVIRONMENT.

Brisbane, Australia
T 1800 105 031
E info@coen.com.au
W www.coen.com.au