

COEN
COMPOSITE WOOD

HABITAT SLEEPERS TECHNICAL GUIDE

PRODUCT GUIDE
INSTALLATION
TECHNICAL SPECIFICATIONS
CARE & MAINTENANCE

HABITAT SLEEPERS

COEN
COMPOSITE WOOD

COEN Composite Wood is a new type of composite (WPC) made by mixing 60% wood powder with 28% HDPE and 12% additives. These are extruded through our modern CNC high pressure / temperature extrusion machines.

Our WPC not only has a high degree of anti-UV and weather resistance, but is also easy to work with and

install. COEN WPC's are highly resistant to moisture, so there is no "Wood Rot" and termites just don't seem to like getting near our products. No cracking, warping or splintering ensures an efficient and easy installation process for our builders. We also have a very stable UV product, so the colour will have very minimal fading from the harsh Australian conditions.

BENEFITS OF COEN



PRODUCT DESIGN & INSTALLATION OPTIONS



HIGH DURABILITY & WEAR RESISTANCE



DOESN'T ABSORB WATER, SO NO WOOD ROT



MINIMAL COLOUR FADE <3% TO 5%



HIGH MECHANICAL & IMPACT RESISTANCE



EXCELLENT DIMENSIONAL STABILITY – WON'T WARP, TWIST OR BOW

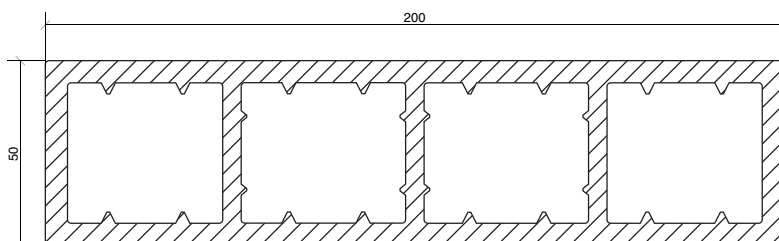


EASY CLEANING, MAINTENANCE & REPAIR

PROFILE DRAWINGS

SLEEPERS PROFILE

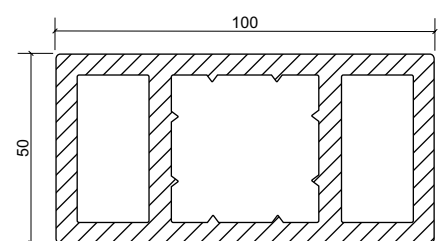
(Shown at 1:2)



200mm x 50mm x 1.8m / 2.4m

GARDEN EDGING PROFILE

(Shown at 1:2)



100mm x 50mm x 4m

INSTALLATION TOOLS AND ACCESSORIES



Cut COEN composite wood to specific lengths on site to meet installation requirements.



HAND DRILL

Since Composite materials have a higher density, all screw holes should be pre-drilled.



ELECTRIC HAMMER DRILL

Use a Hammer Drill for securing batons to solid wall surfaces.

CIRC



TAPE MEASURE



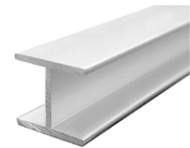
LEVEL



STAINLESS STEEL SCREWS



SLEEPER



GALVANISED H OR C CHANNEL (IF BEING USED)

SAFETY

When cutting, drilling or hand sawing any WPC material, ensure you wear a dust mask, safety glasses and ear protection.

TECHNICAL INFORMATION

SLEEPER RETAINING WALLS

A retaining wall is defined as any structure built for the purpose of supporting soil that otherwise would not be self-supporting.

Usually retaining walls over 1 metre need council approval. Please refer to your Local Council to check relevant codes for retaining walls before you start

We recommend 600mm high walls for COEN sleepers. Clients need to ensure walls 600mm to 1 metre are well supported.

Before you dig

- Before excavating for walls and posts, it's important that you have a clear picture of what's underground.

Check the height

- A non-structural low wall can be easily designed and constructed by the average DIYer.
- But if the height exceeds 400mm, it's close to a boundary, or it will be carrying a heavy load or a

'live' load like a driveway, then you may need to seek professional advice on its design.

Mark out posts and dig holes

- Use a string line to mark position of posts in a straight line. Dig footings and set posts in place, and brace. Ensure posts are plum or at the desired angle ie 1:10. Once in correct position concrete them in and allow to dry. Remove bracing.
- If using screw fixings, insert two screws per fixing point.

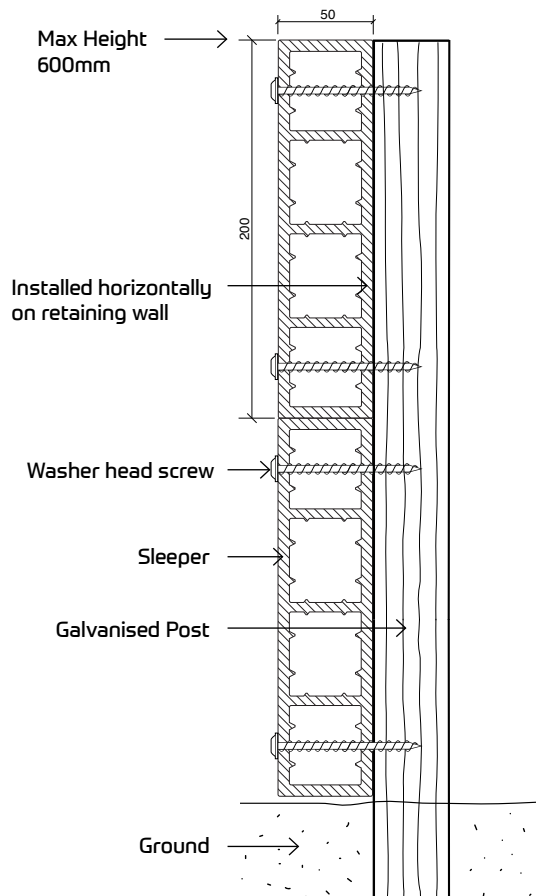
Install drainage

- Lay a slotted ag drain at the base of the wall and fill above it with a free-draining material such as gravel. Encase the whole lot in geotextile fabric which allows water through but prevents soil from washing in and clogging up your drain.

INSTALLATION DIAGRAM

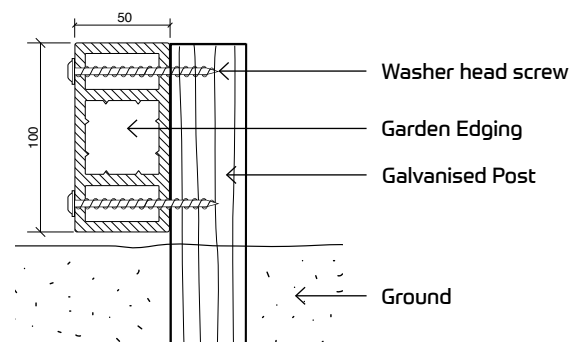
SLEEPER INSTALLATION

(Shown at 1:2)



GARDEN EDGING INSTALLATION

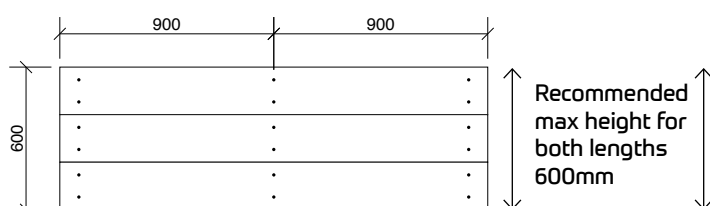
(Shown at 1:2)



FIXING LENGTHS DIAGRAM

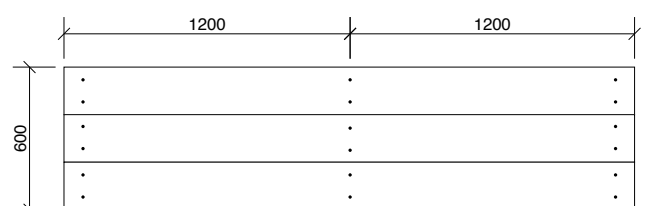
1.8m LONG SLEEPERS

FIXED AT 900mm INTERVALS



2.4m LONG SLEEPERS

FIXED AT 1200mm INTERVALS



TECHNICAL SPECIFICATIONS	Dimensions (mm)
Dimensions	200x50mm
Standard Length	1.8m and 2.4m
Boards / Pack	50
Maximum support centres - 2.4m	1.2m
Maximum support centres - 1.8m	900mm
Fixing Options	50mm "H" or "U" Galvanised Posts
Maximum height	3 Sleepers
Minimum clearance from wall (mm)	5
Butt gap minimum	4

STORAGE

Storage is simple. Store flat, in a dry area, under cover and out of the sun. Keep your COEN products wrapped in the packaging it arrives onto site. If you need to store your COEN products for a longer than expected period of time, or have a delay in your project, call us at COEN and we'll store your product for you at an agreed price & period of time.



Following our easy-care tips will ensure that your COEN Composite Wood looks fresh and attractive for years to come.

NORMAL CARE

COEN composite wood products require periodic cleaning to keep them looking great. For dirt, dust and other residue, simply brush with a soft broom. If necessary, wash the Composite Wood down in the direction of the grain with a garden hose or a pressure washer, no more than 1,500 psi.

PROBLEM	SOLUTION
Dust and Dirt	Wash with hot soapy water and soft scrubbing brush
Mildew	Use a deck washing product or hot soapy water. Never mix any other cleaners with the deck washing product. Vinegar can be used to kill the mould.
Chalk Stain	Except white, other colours cannot be removed once on the surface, so avoid the use of chalk. Use hot soapy water with a stain-bleaching agent to wipe off.
Ice or snow	Use calcium chloride or rock salt to melt ice or snow and wash with hot soapy water.
Dirty spots or soiling	Apply a detergent with oxalic acid or phosphoric acid to spots and wipe clean after 10-15mins.
Oil	Clean immediately with a household degreasing detergent and hot soapy water.
Berry or wine stain	Scrub and dilute the stains with a mix of bleach and hot soapy water before rinsing with water.
Ink Smudge	An ink smudge is unlikely to be removed. Scrub and dilute the stains with a mix of bleach and hot soapy water before rinsing with water. This may dilute the smudge.

NB: Please note that some cleaners can lighten the colour of your composite wood, so always test any cleaner on a small portion before cleaning the entire surface.

ADDITIONAL TIPS

- Clean wall panelling regularly in order to prevent dust accumulation.
- Remove marks or stains immediately or they may become more difficult to remove after a period of time.
- Never apply harsh solvents such as acetone, gasoline, benzene, carbon tetrachloride or paint thinner.
- Never mix two or more cleaning agents when cleaning your composite wood products.
- Keep the area around your composite wood product clean and well ventilated.
- If you have any further queries, please call us at COEN – 1800 105 031 or email info@coen.com.au