

# HABITAT SCREENING

**COEN**  
COMPOSITE WOOD  
BUILDING A BETTER ENVIRONMENT

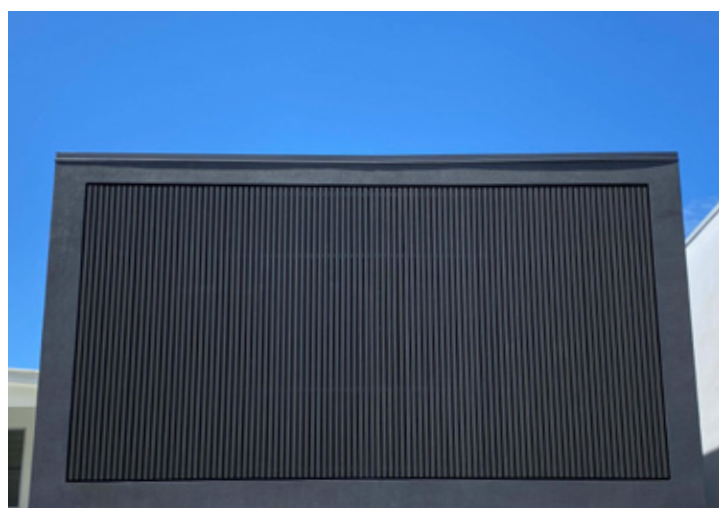
## *Defining outdoor living*

An architectural product with endless design options that's easy to install and ideal for hard to reach places.

- Durable and through coloured
- Range of colours and sizes
- No maintenance required
- Sanded finish
- Flexible installation options

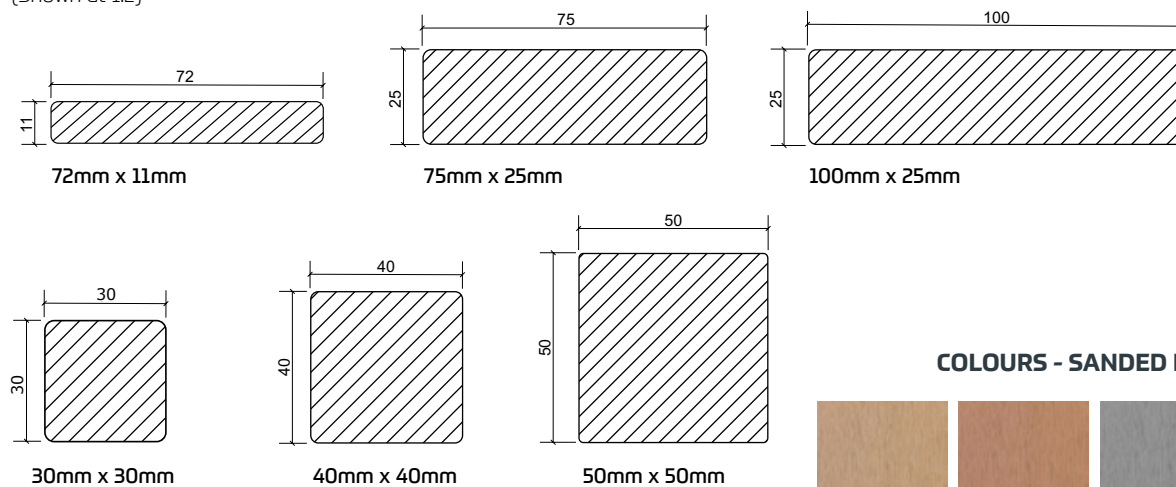


*"I love it – The product is very easy to work with and to install, and the end result is better than what I expected."*



## SOLID PROFILES

(Shown at 1:2)

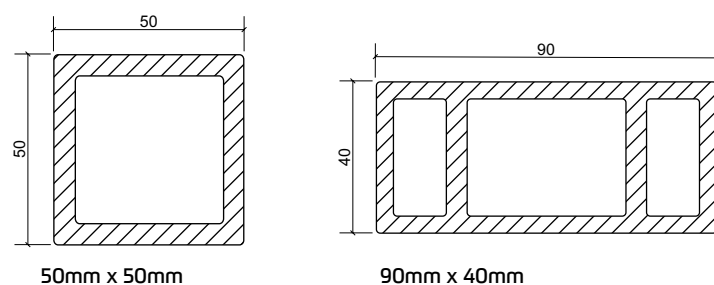


## COLOURS - SANDED FINISH



## HOLLOW PROFILES

(Shown at 1:2)



### TECHNICAL SPECIFICATIONS

	Solid Screening (mm)	Hollow Screening (mm)
Boards / Pack	Various	Various
Number of fasteners per screen width*	1 to 2	1
Maximum Batten centers - Horizontal	600 to 800	600 to 800
Maximum Batten centers - Vertical	600mm to 1.2m	600mm to 1.2m
Maximum Batten to First Fixing Point - Vertical	100 to 200	100 to 200
Minimum clearance from wall (mm)**	5	5
Minimum screening spacing	5	5
Minimum ground clearance	10	10
Minimum clearance at screen end from fixed structure	5	5
Butt gap minimum	4	4

Product can be fixed directly onto a wall with minimal exposure to weathering, using a Sicaflex or other product applied, then screwed to wall.