

COEN
COMPOSITE WOOD

FENCING

PRODUCT GUIDE
INSTALLATION
CARE & MAINTENANCE

FENCING INSTALLATION

COEN WPC is a new type of composite made by mixing 60% wood powder with 28% HDPE and 12% additives. These are extruded through our modern CNC high pressure / temperature extrusion machines. Our WPC not only has a high degree of anti-UV and weather resistance, but is also easy to work with and install. COEN WPC's are highly resistant to moisture, so there is no "Wood Rot" and termites just don't seem to like getting near our products. No cracking, warping or splintering ensures an efficient and easy installation process for our builders. We also have a very stable UV product, so the colour will have very minimal fading from the harsh Australian conditions.

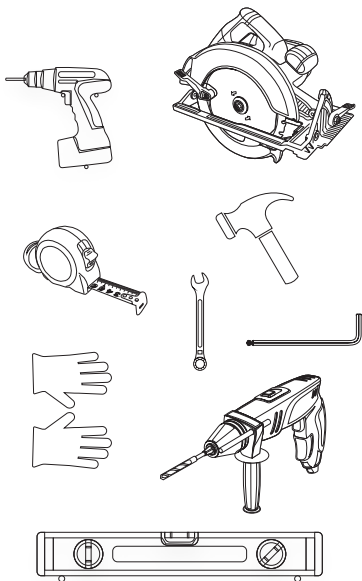
Our WPC is a safe, environmentally responsible alternative, and doesn't require any painting or coatings to ensure colour or longevity. The main materials used are wood powder, from

scrap building and factory waist, such as wood furniture and construction manufacturers. In addition, we recycle any off cuts or waste from our manufacturing process. The aim here is to improve our environment through recycling.

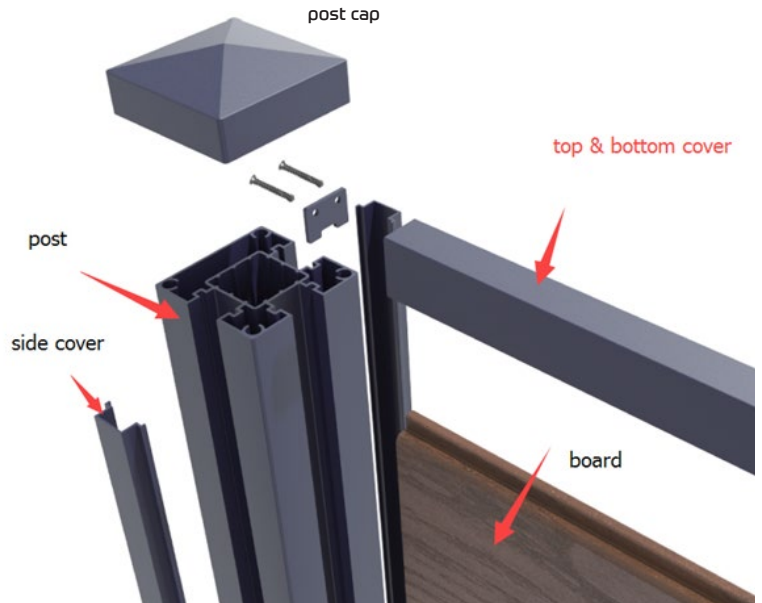
The raw material quality is paramount to our product being consistently manufactured to the specifications, to ensure the products longevity. As such we only select quality raw products and each batch is tested to our required standard prior to entering its first stage of production process. (Ref our web site for the production process).

After production, each batch of COEN Composite Wood is tested for its elasticity and strength. Our products have a consistency in size and colour and are cut to a length you need, therefore eliminating the search for the perfect piece of WPC for your application.

TOOLS



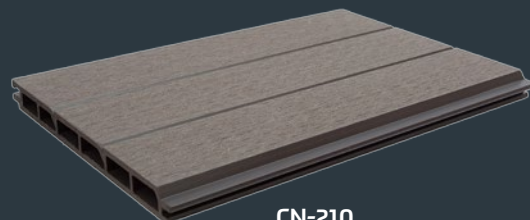
COMPONENTS



FENCING PANEL TYPES

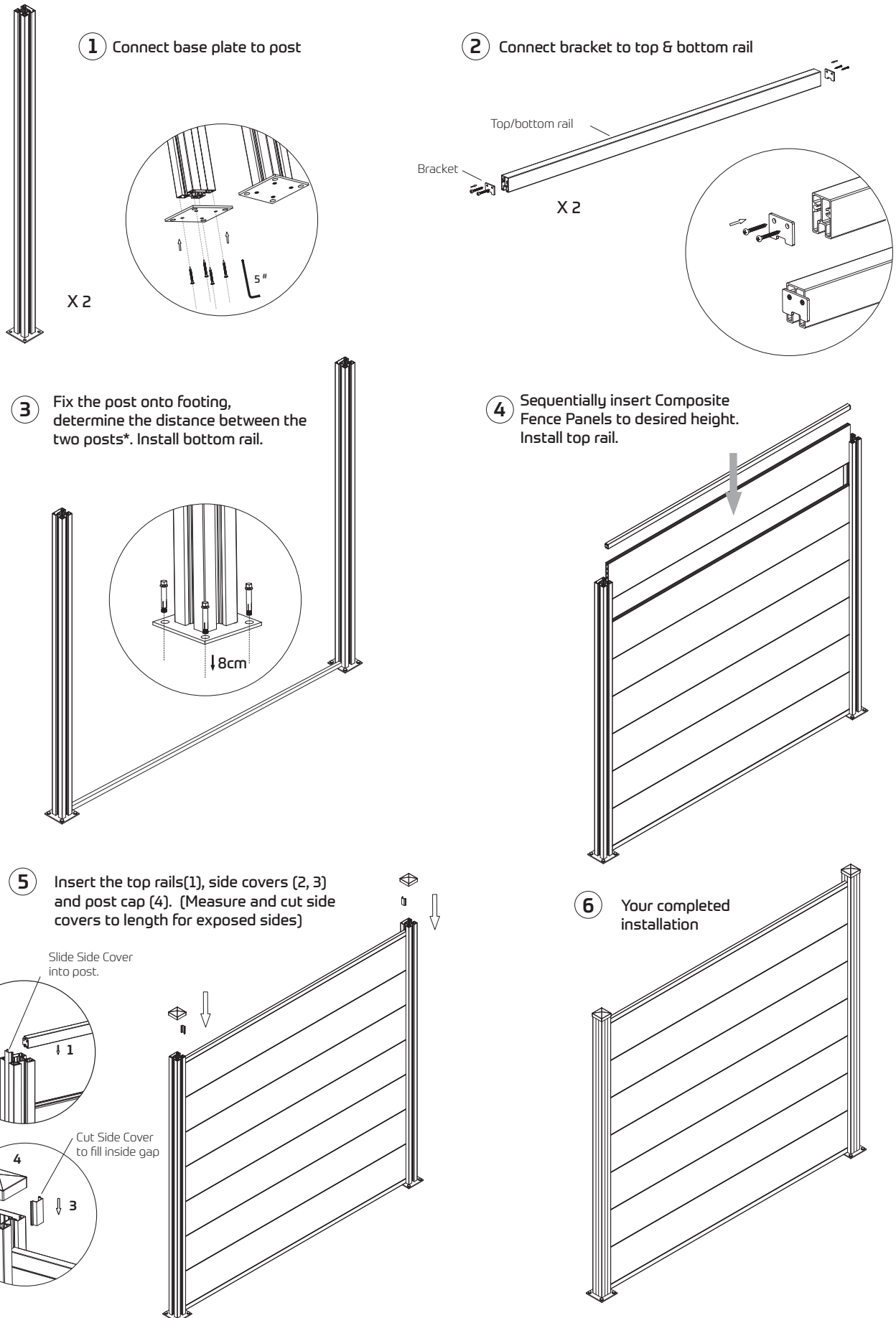


CN-303



CN-210

FENCING INSTALLATION



*We recommend 1.83m for the Coen Fencing kit. A maximum of 2 meter span for individual designed fences..

FENCING CARE & MAINTENANCE

Following our easy-care tips will ensure that your fencing looks fresh and attractive for years to come.

NORMAL CARE

Once COEN fencing is installed, periodic cleaning is necessary to keep it looking great. For dirt, dust and other residue, simply brush with a soft broom. If necessary, wash the fencing down in the direction of the grain with a garden hose or a pressure washer, no more than 1,500 psi.

PROBLEM	SOLUTION
Mould and Mildew	Clean away leaves and debris that promote mould growth. Ideally, you should clean the dirt off your fence before mildew starts, because the dirt is what feeds the mould. If mould/mildew appears, a deck washing product and a detergent can be used. Never mix any other cleaners with the deck washing product. Vinegar can be used to kill the mould.
Rust stains/stubborn spots	Use a cleaning product containing oxalic or phosphoric acid base to lighten or remove the rust or dirt. Product may need to sit on stain 10-15 minutes.
Oil and Grease Stains	As soon as the spill has occurred, use hot water and dishwashing detergent, to remove the stain. Be sure to thoroughly rinse the detergent off the fence with hot water. If need be, use a light stainless steel scourer.
Berries and Wine Stains	Mix bleach into hot water according to the bleach-packaging label. Scrub the stain lightly and rinse thoroughly. The stain may not disappear entirely.
Ink Stains	Inks may be permanent. However, scrubbing with hot soapy water may lighten the stain. Rinse thoroughly.

Note: Please note that some cleaners can lighten the colour of your fencing, so always test any cleaner on a small portion before cleaning the entire surface.

ADDITIONAL TIPS

- Never apply harsh solvents such as acetone, gasoline, benzene, carbon tetrachloride or paint thinner to your fencing.
- Never mix two or more cleaning agents when cleaning your fencing.
- Keep the area around your fence clean and well ventilated.
- If you have any further queries, please call us at COEN – 0457 610 690 or email info@coen.com.au



Easy to install fencing made to last in Australian conditions, with no oiling or sealing required.



PRODUCT DESIGN & INSTALLATION OPTIONS



HIGH DURABILITY & WEAR RESISTANCE



DOESN'T ABSORB WATER, SO NO WOOD ROT



MINIMAL COLOUR FADE
<3% TO 5%



HIGH MECHANICAL & IMPACT RESISTANCE



EXCELLENT DIMENSIONAL STABILITY
- WON'T WARP, TWIST OR BOW



EASY CLEANING, MAINTENANCE & REPAIR

COEN
COMPOSITE WOOD

Coorparoo • Port of Brisbane

T +61 457 610 690

E info@coen.com.au

W www.coen.com.au

OUR FENCING RANGE

COEN Part Number	Section Size (width x thickness)	Picture	Profile	Product
CN-303	258x20mm			Fencing
CN-210	205x20mm			Fencing
CN-001A	70x70mm			Aluminum Post
CN-004A	30x20mm			Aluminum top and bottom cover
CN-007	21.8x11.3mm			Side Cover
CN-A01				Accessories set: a. PE post cap (1) b. Steel baseplate (1) c. Screw for connecting baseplate to post (4) d. Insertion piece for connecting post to top and bottom cover (4) e. Screw for insertion piece (8) f. Stainless expansion screw for steel baseplate (4)

NB. Additional products, sizes and designs available on request. Profiles and Pictures are indicative only. Contact us for samples.

STANDARD COLOURS



BROWN

RED PINE

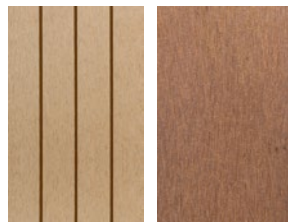
TEAK

OAK

LIGHT GREY

BLACK

STANDARD FINISHES



GROOVE

SANDED